

ATH SERIES

CRANE SCALE



The Ultimate Solution for Crane Scale by JFE Advantech

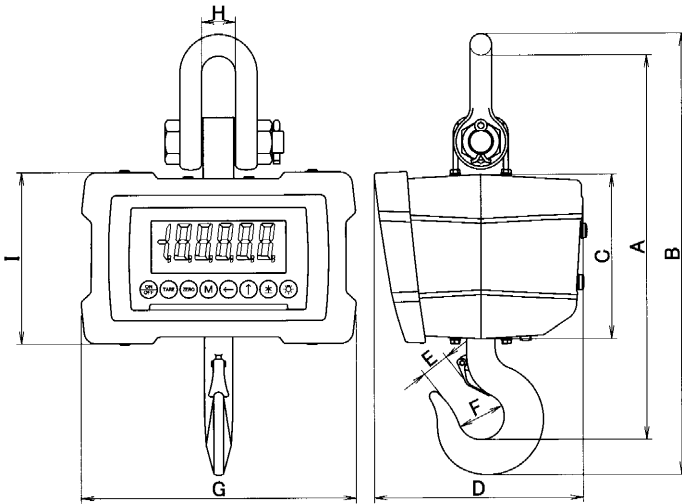
- Largest size LCD in this class, easy-to-read indoors or outdoors
- Handy display unit synchronizing with main unit
- Small and light weight with aluminium die-cast casing
- Lithium ion battery



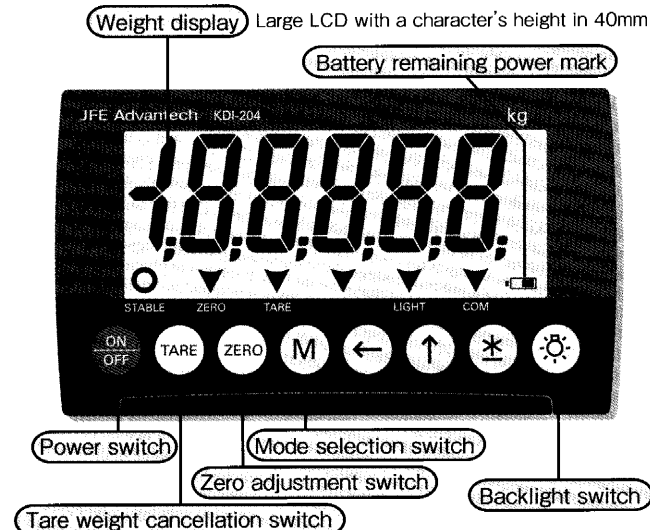
JFE Advantech Co., Ltd.

formerly known as Kawatetsu Advantech Co., Ltd.

Specification



Model	ATH-05	ATH-1	ATH-2	ATH-3
Capacity	500kg	1,000kg	2,000kg	3,000kg
A mm	406		463	
B mm	456		531	
C mm	198		198	
D mm	251		251	
E mm	26		32	
F mm	φ45		φ56	
G mm	331		331	
H mm	31		41	
I mm	207		207	
Net mass (kg)	approx. 14		approx. 19	



Lineup

Capacity	Main unit only	Main unit with handy display unit	Minimum graduation
500kg	ATH-05B	ATH-05BL	0.2kg
1,000kg	ATH-1B	ATH-1BL	0.5kg
2,000kg	ATH-2B	ATH-2BL	1kg
3,000kg	ATH-3B	ATH-3BL	1kg

Crane scale main unit

- **Operation switches**
[Power] [Zero adjustment] [Tare weight cancellation] [Backlight]
- **Display**
Weight value (LCD with a character's height in 40mm), Stable, Center zero, Tare weight cancellation, and Battery remaining power
- **Power saving functions (selectable)**
Backlight On/Off, Backlight Off at stable weight, Auto power-off (to be automatically turned off even if you forget to turn off the power)
- **Others**
Power : Rechargeable lithium-ion battery
Battery life : More than 50 hours for continuous use ⁽¹⁾
(1) When backlight is turned off, and a handy display unit is not used.

Handy display unit

- **Operation switches**
[Power] [Zero adjustment] and [Tare weight cancellation]
- **Display**
Weight value (LCD with a character's height in 25mm), Center zero, Tare weight cancellation, and Battery remaining power
- **Others**
Feature : It can be placed on the table, or hooked on the wall using a simple metal fitting.
Power : Alkaline AA (or R6) battery x 4 pieces
Battery life : More than 100 hours for continuous use
Dimensions & weight : 136W x 95H x 37D mm, approx. 390g

Common specifications

Temperature for use : -5°C to 40°C
It is not waterproof

Standard accessories : Batteries, Rechargeable battery charger, Pedestal, and Operation manual

* Specifications may be changed without notice according to technical improvements.

JFE Advantech Co., Ltd.
formerly known as Kawatetsu Advantech Co., Ltd.
URL : <http://www.jfe-advantech.co.jp/>

Tokyo Branch Office (Overseas Sales)
Okaya Bldg., 14-4 Nihonbashi-Kodemma-cho, Chuo-ku, Tokyo
103-0001, Japan
e-mail: tokyo@jfe-advantech.co.jp Tel. +81-3-3662-5341 Fax. +81-3-3662-5346

Head Office and Main Plant
3-48 Takahata-cho, Nishinomiya-shi, Hyogo Pref.
663-8202 Japan
e-mail: honsha@jfe-advantech.co.jp Tel. +81-798-66-1508 Fax. +81-798-65-7025